

Product Proposal for Suprema Access Control System



Suprema Inc.

Dec. 2005



Contents

1

..... Introduction

2

..... FVC2004 Results

3

..... Products

1. BioEntry Pass
2. BioEntry Smart
3. BEACon

4

..... Applications

- Case 1. Small Office with BEACon and BioEntry Pass
- Case 2. Large Office with BEACon and BioEntry Pass
- Case 3. Large Office with BEACon and BioEntry Smart
- Case 4. Large Office with Wiegand Controller and BioEntry Pass
- Case 5. Large Office with Wiegand Controller and BioEntry Smart

5

..... Contact Information

Introduction

Suprema

is the leading company in biometrics with cutting-edge technology and excellent technical staffs. Our fingerprint technology was proven to be world's No. 1 in a worldwide fingerprint verification competition (FVC2004). Suprema's fingerprint products have been sold to more than 60 countries worldwide and are being used in various application fields.

BioEntry™

is an advanced biometric access reader equipped with our award winning fingerprint recognition engine and standard Wiegand interface. BioEntry™ can practically replace proximity or magnetic readers in existing access control systems as well as new installations.

BEACon™

is a single door controller with built-in LCD and keypad. Connected to BioEntry™, BEACon™ will eliminate the need for a host PC and enhance the security level of your application.

FVC2004 Results

● FVC 2004

- 110 teams registered and 48 teams submitted algorithms
- Tested with 3,200 fingerprint images from 4 different sensors
- **Category**
 - Open Category : no limit on algorithm (academic interest)
 - Light Category : limit on time, memory and template size (commercial)
- **Result (Light Category)**

Ranking	Participants	Results
1	Suprema Inc.	3.51%
2	Ji Hui	3.69%
3	HanWang Technology	3.96%
4	Bioscrypt	4.29%
5	Testech	4.33%
6	Nltgen	4.86%
7	Institute of Automation	4.91%
8	Deng Guoqiang	5.26%
9	IDENCOM	5.29%
10	Neurotechnologija	5.64%

<http://bias.csr.unibo.it/fvc2004>

Products

● BioEntry Pass – Fingerprint Reader

◎ Operation Mode

- ◎ Fingerprint Identification (1:N matching)
- ◎ Existing RF reader + Fingerprint verification

◎ Features

- ◎ Simple one-touch operation
 - No more keys, cards, or PINs
- ◎ Industry's fastest identification
 - 1 to 1,000 search in 1 second
- ◎ Award winning fingerprint recognition engine (No. 1 in FVC 2004)
- ◎ Affordable price comparable to non-biometric access readers
- ◎ Template capacity : 9,000 templates at 4MB flash
- ◎ Flexible interface : RS232/422/485, Wiegand IN & OUT, Data/Clock OUT
- ◎ Multiple choice of industry's leading fingerprint sensors (Thermal, Optical, Capacitive)



Products

● BioEntry Smart – Fingerprint & Smartcard Reader

◎ Operation Mode

- ◎ Smart card + Fingerprint (Default)
- ◎ Fingerprint identification (1:N matching)
- ◎ Smartcard only (Bypass card)

◎ Features

- ◎ Biometric data stored on card
 - Easy registration and no privacy concern
- ◎ Instant replacement of existing readers
 - No additional wiring
- ◎ Award winning fingerprint recognition engine (No. 1 in FVC 2004)
- ◎ Affordable price comparable to non-biometric access readers
- ◎ Template storage on standard Mifare smartcard
- ◎ Flexible interface : RS232/422/485, Wiegand IN & OUT, Data/Clock OUT
- ◎ Multiple choice of industry's leading fingerprint sensors (Thermal, Optical, Capacitive)



Products

● BEACon – Door Controller

⊙ Features

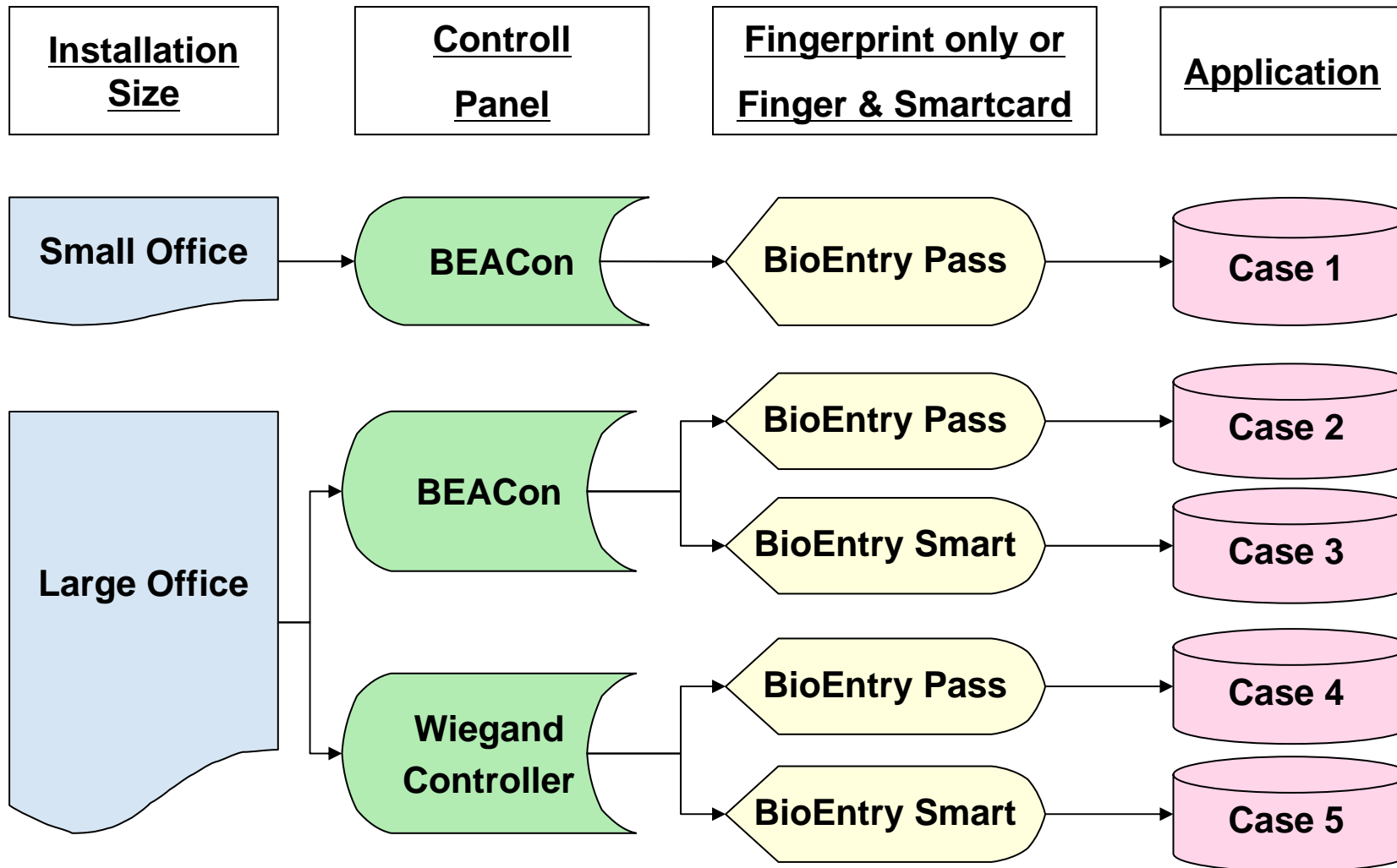
- ⊙ Easy setup and fingerprint registration using LCD and keypad
- ⊙ Realize a complete access control system without a host PC in standalone mode
- ⊙ Network mode via RS485 interface (Optional TCP/IP interface)
- ⊙ Enhance the security using encrypted secure protocol
- ⊙ Versatile input switch and output relay

⊙ Accessory (Optional)

- ⊙ Metal case
- ⊙ Power adaptor

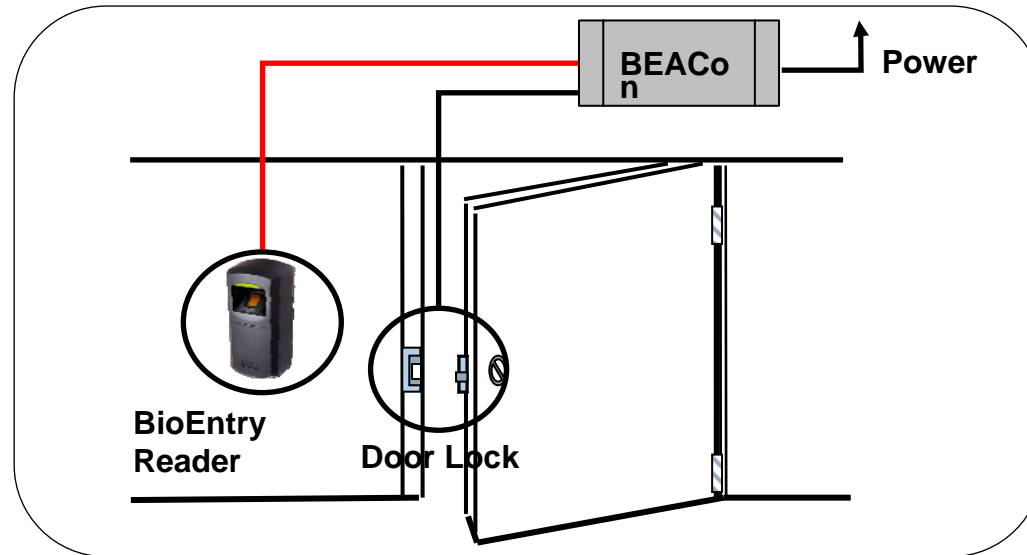


Applications



Case 1 : Small Office with BEACon and BioEntry Pass

Configurations



System Components

- ⊙ BioEntry Pass reader, BEACon controller, electric door lock

Features

- ⊙ Complete access control system without a host PC
- ⊙ Easy fingerprint registration using the keypad and LCD on the BEACon controller
- ⊙ Best solution for a small office requiring simple access control system in a cost-effective manner

Case 1 : Small Office with BEACon and BioEntry Pass

Operations

Enrollment procedure



Enroll fingerprint template with
BEACon keypad and BioEntry

Matching procedure



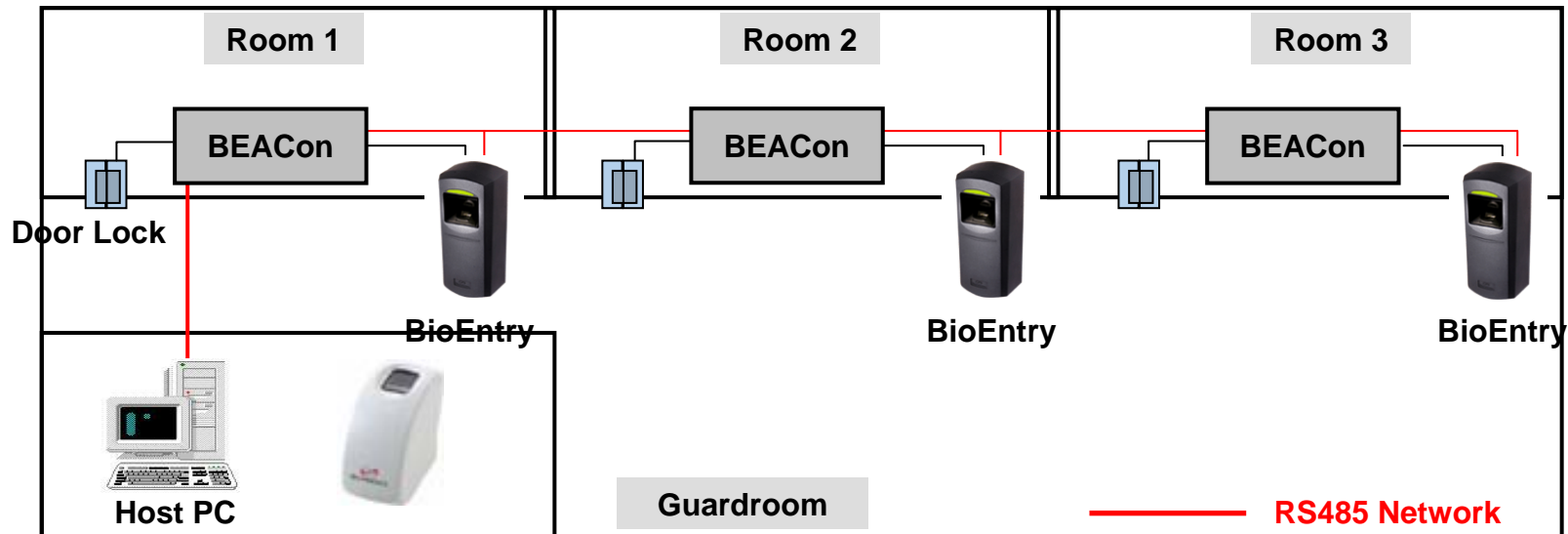
Touch finger



Success or fail

Case 2 : Large Office with BEACon and BioEntry Pass

Configurations



System Components

- ⊙ BioEntry Pass reader, BEACon controller, electric door lock, Host PC

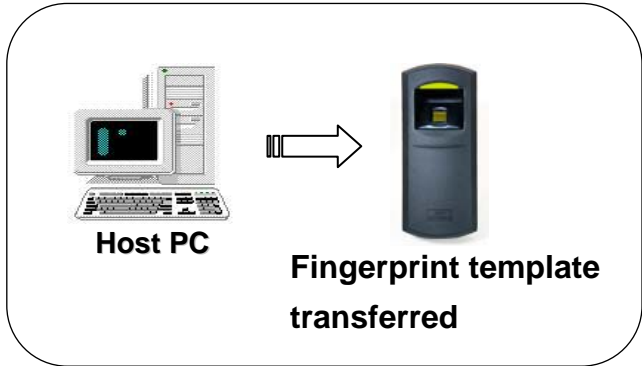
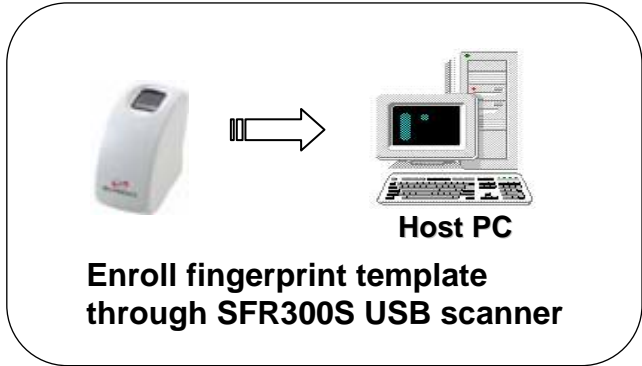
Features

- ⊙ Easy system integration with Suprema access control package of BioEntry reader and BEACon controller
- ⊙ Simple one-touch operation – no more keys, cards, or PINs
- ⊙ Best solution for a new installation of access control system, especially in a large office

Case 2 : Large Office with BEACon and BioEntry Pass

Operations

Enrollment procedure

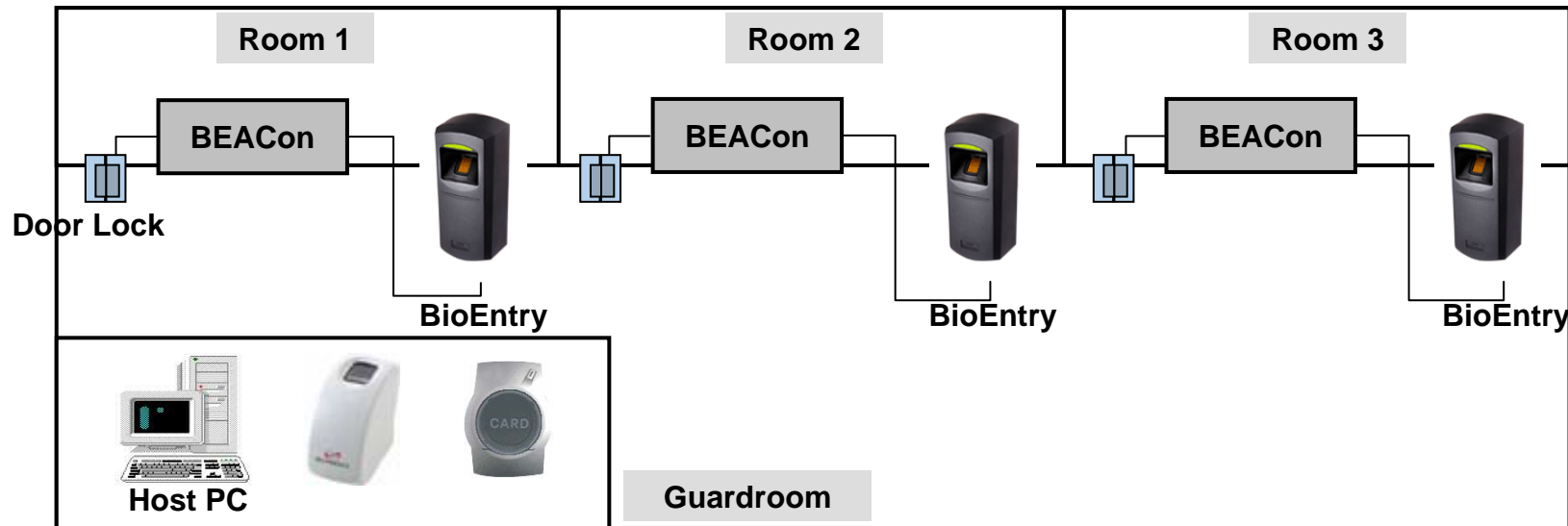


Matching procedure



Case 3 : Large Office with BEACon and BioEntry Smart

Configurations



System Components

- ⊙ BioEntry Smart reader, BEACon controller, electric door lock, Host PC

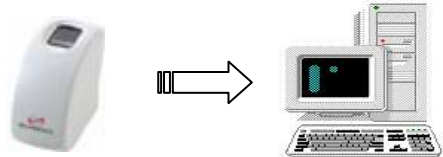
Features

- ⊙ Easy system integration with Suprema access control package of BioEntry Smart reader and BEACon controller
- ⊙ Biometric data stored on standard Mifare smartcard - easy registration and no privacy concern
- ⊙ Best solution for a new installation of access control system, especially in a large office

Case 3 : Large Office with BEACon and BioEntry Smart

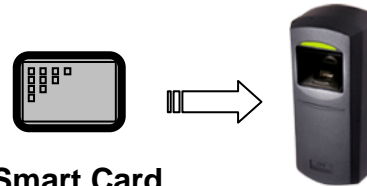
Operations

Enrollment procedure



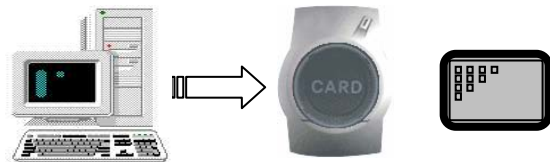
Enroll fingerprint template through SFR300S USB scanner

Matching procedure



Smart Card

Fingerprint template transferred

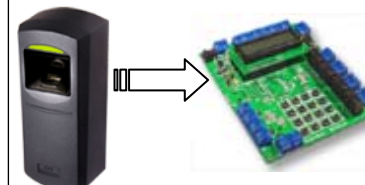


Host PC

Write to smartcard



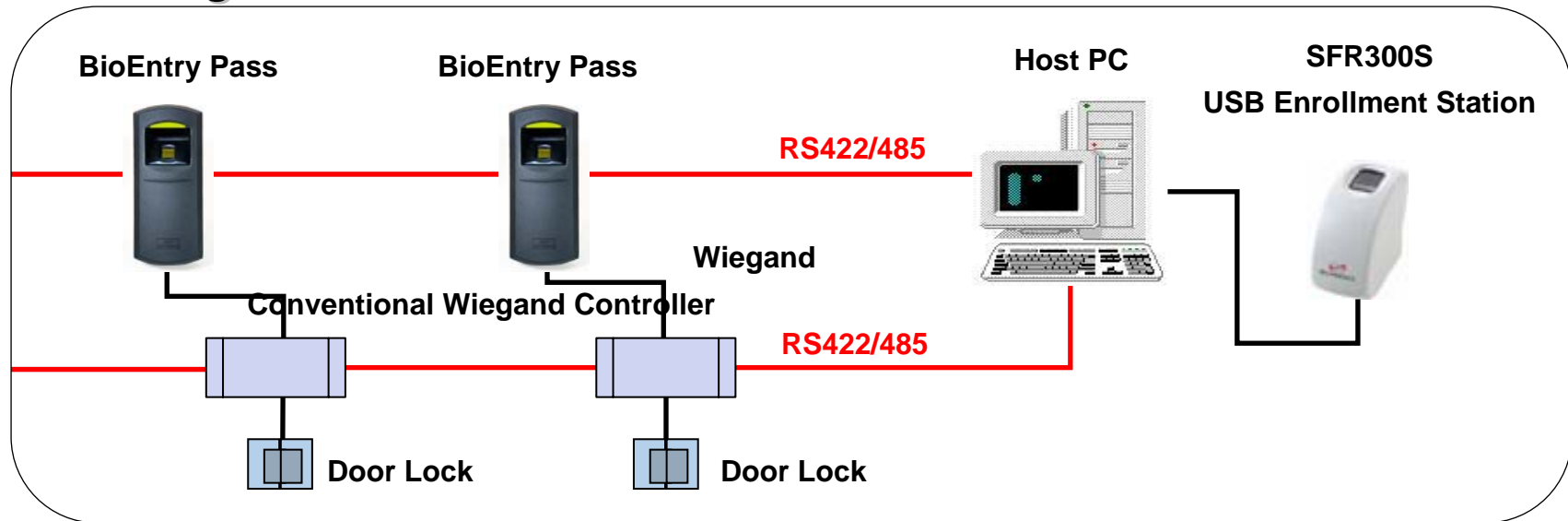
Touch finger



Success or fail

Case 4 : Large Office with Wiegand Controller and BioEntry Pass

Configurations



System Components

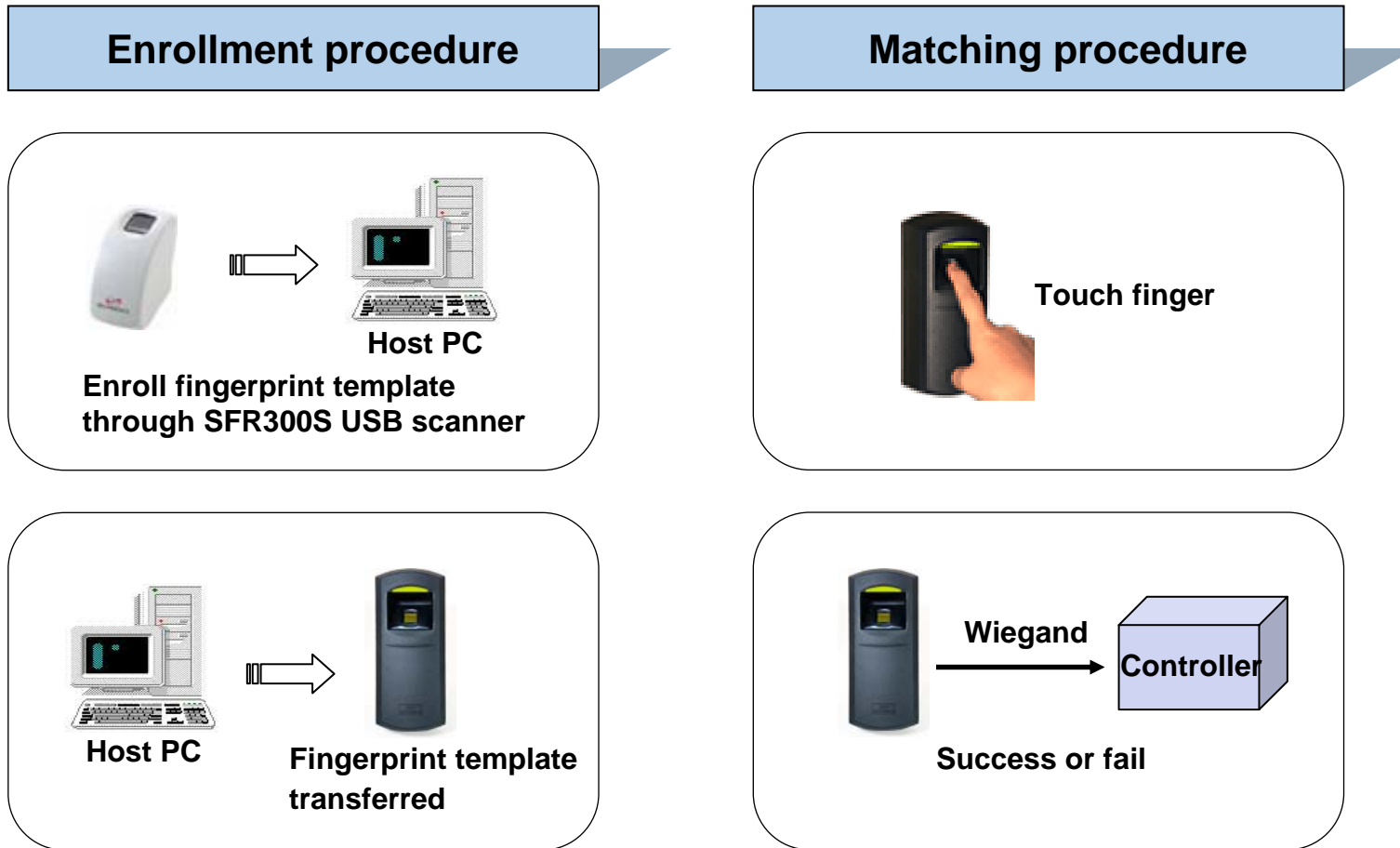
- ⊙ BioEntry Pass reader, conventional Wiegand controller, electric door lock, Host PC

Features

- ⊙ Compatible with conventional access controllers through Wiegand interface
- ⊙ Simple one-touch operation – no more keys, cards, or PINs
- ⊙ Template capacity : 9,000 templates at 4MB flash
- ⊙ Versatile control functions supported by a BioAdmin software on a host PC

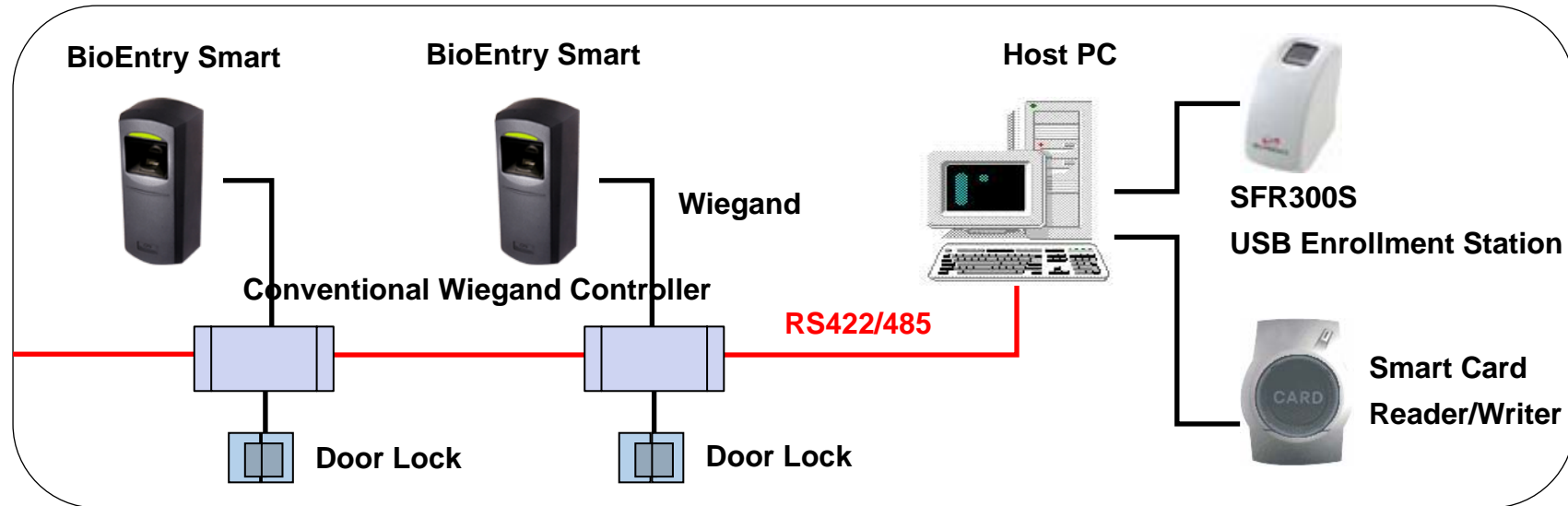
Case 4 : Large Office with Wiegand Controller and BioEntry Pass

Operations



Case 5 : Large Office with Wiegand Controller and BioEntry Smart

Configurations



System Components

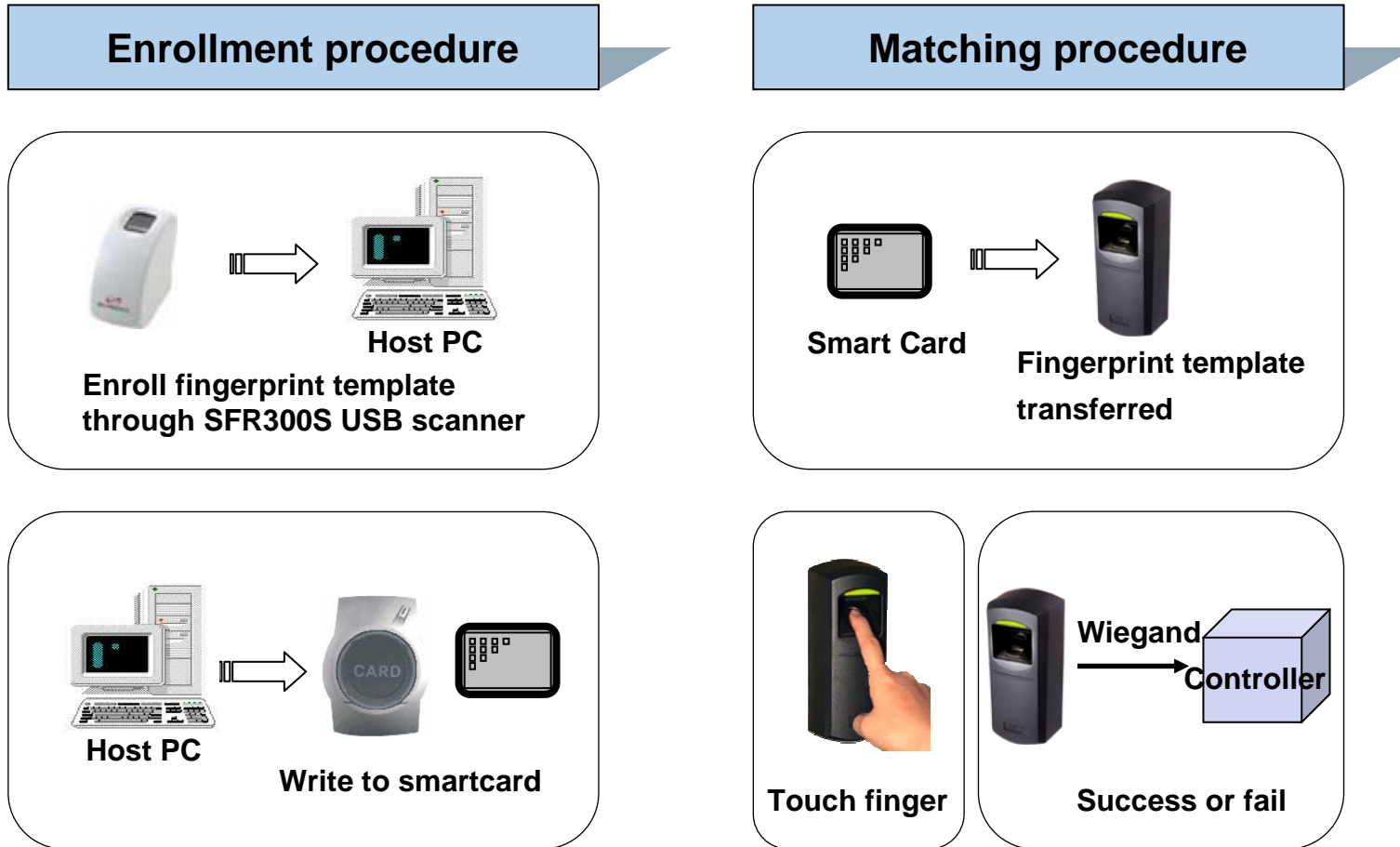
- ⊙ BioEntry Smart reader, conventional Wiegand controller, electric door lock, Host PC

Features

- ⊙ Instant replacement of existing readers – no additional wiring
- ⊙ Compatible with conventional access controllers through Wiegand interface
- ⊙ Biometric data stored on standard Mifare smartcard - easy registration and no privacy concern
- ⊙ Versatile control functions supported by BioAdmin software on a host PC

Case 5 : Large Office with Wiegand Controller and BioEntry Smart

Operations



Contact Information

Mailing address

Suprema Inc.
16F Parkview Office Tower, Jeongja-dong, Bundang-gu,
Seongnam, Gyeonggi, 463-863 Korea

Phone and fax

Tel. : +82-31-783-4502
Fax. : +82-31-783-4503

Website

<http://www.supremainc.com>

E-mail

sales@supremainc.com